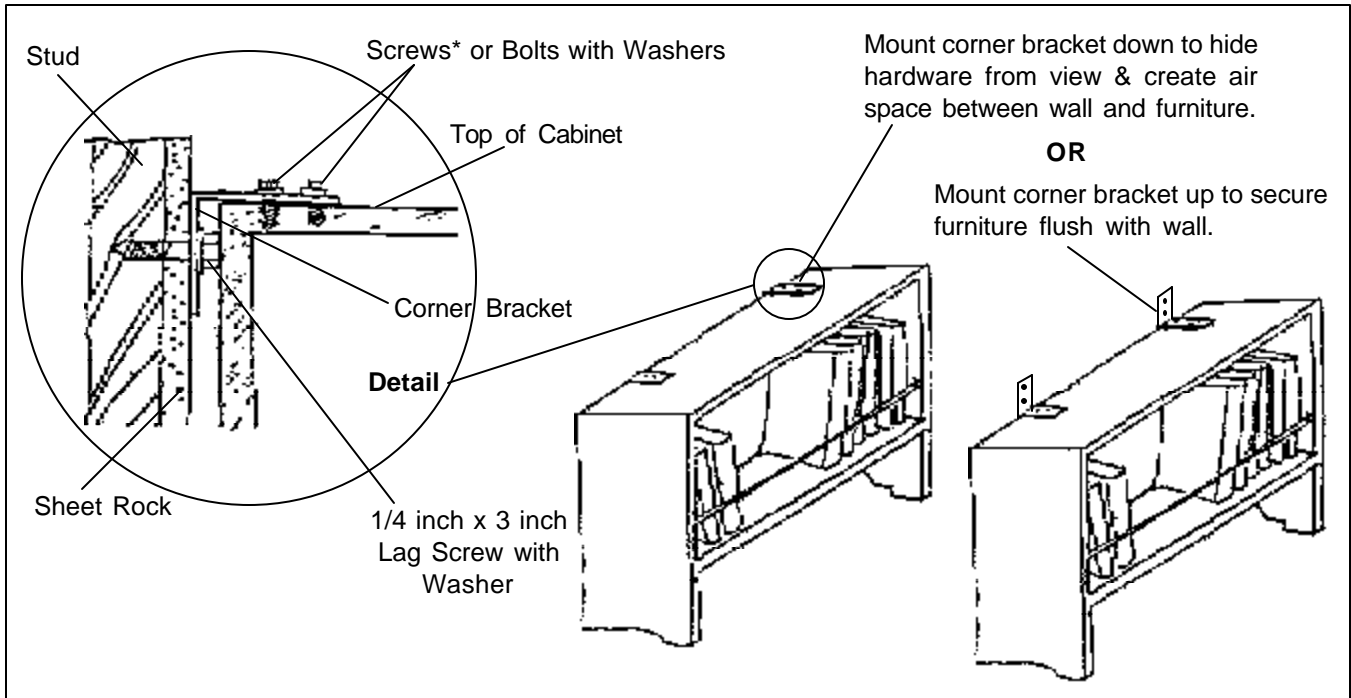


# Securing Tall Furnishings and Their Contents

Prepared by the Peninsulas Emergency Preparedness Committee of Washington  
August 2001  
(www.pep-c.org)



\* Note: The type of screw you use to secure the corner bracket to the top of your furniture will depend on the kind of wood used in construction as well as its thickness. If your furniture is made of hardwood, use fine threaded screws. If your furniture is made of softwood, use coarse threaded screws. If your furniture is made of particle board, or press-board, you will need to use screws specifically designed for particle board.

Basic Tools and Supplies: masking tape, pencil, ladder, drill, 3/16 inch drill bit, stud finder, awl, hammer

Basic Directions:

1. Working above the top of your furniture, locate the studs behind the sheetrock in your wall using a stud finder. Mark the location of the studs with a piece of masking tape.
2. Position corner bracket on center of stud and flush with top of furniture. Mark location of holes for screws on top of furniture and on the wall with a pencil.
3. Using 3/16 in. drill bit, drill pilot hole in wall studs for lag screws. Secure corner bracket to wall stud with 3 inch lag screw and washer.
4. Use an awl and hammer to punch a starter hole in top of furniture and secure corner bracket with appropriate screws and washers.

**Don't forget about the Frig!**

Secure refrigerators to wall studs using 3 inch eye screws and nylon strapping.

DO NOT screw or bolt refrigerator itself to wall studs without the advice of a qualified serviceman.

